

# EXHAUST SOLUTIONS

FOR DIE CASTING



## Clean Foundry, Efficient Production.

To ensure a healthy working environment in foundries is of critical importance for both occupational safety and productivity. As a specialized team in foundry air purification, we provide solutions to enhance air quality in industrial settings and safeguard worker health.



### Technological Excellence

We effectively purify foundry air using state-of-the-art filtration systems and ventilation solutions. This ensures the removal of harmful particles and gases from the environment.



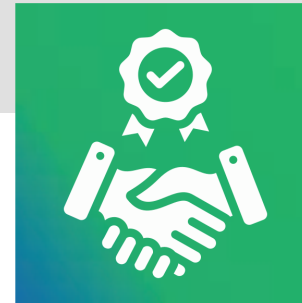
### Health and Safety Centric Solutions

To safeguard worker health and enhance the working environment, we purify foundry air with specially designed filtration systems. This creates a healthier working environment by reducing respiratory disorders.



### Customized Solutions

Every foundry is unique, and their needs vary. Therefore, we work to provide customized solutions to meet your specific requirements, ensuring optimal air quality.



### Experience and Reliability

With our industry experience and expert team, we achieve successful projects to earn customer satisfaction and trust.



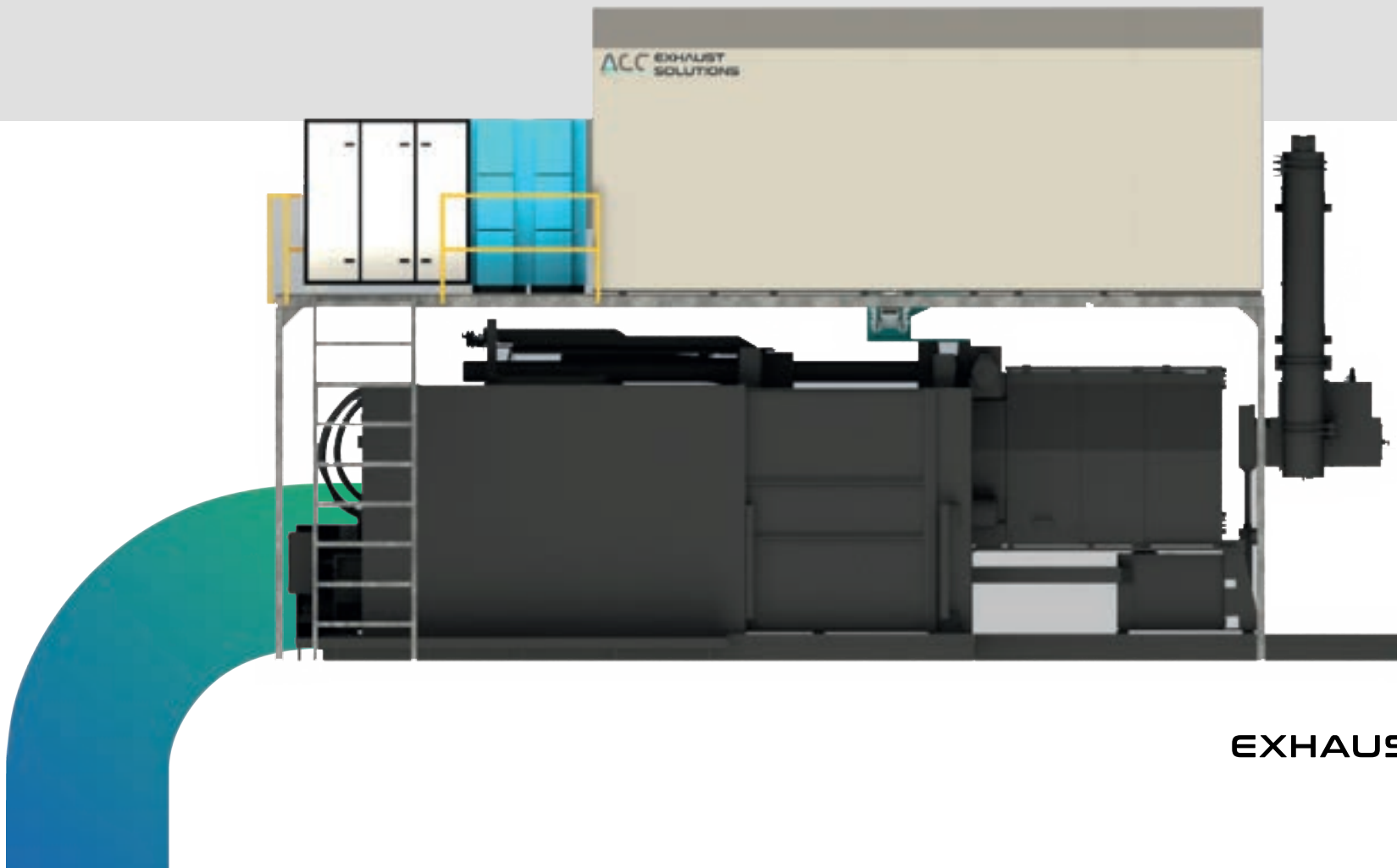
### Eco-Friendly Approach

We not only prioritize human health but also demonstrate environmental sensitivity. In our operations, we give priority to eco-friendly technologies and processes.

While addressing air quality issues in foundries, we consistently aim for the highest level of customer satisfaction and worker health. Join us for a healthy working environment and feel the difference in your operations.

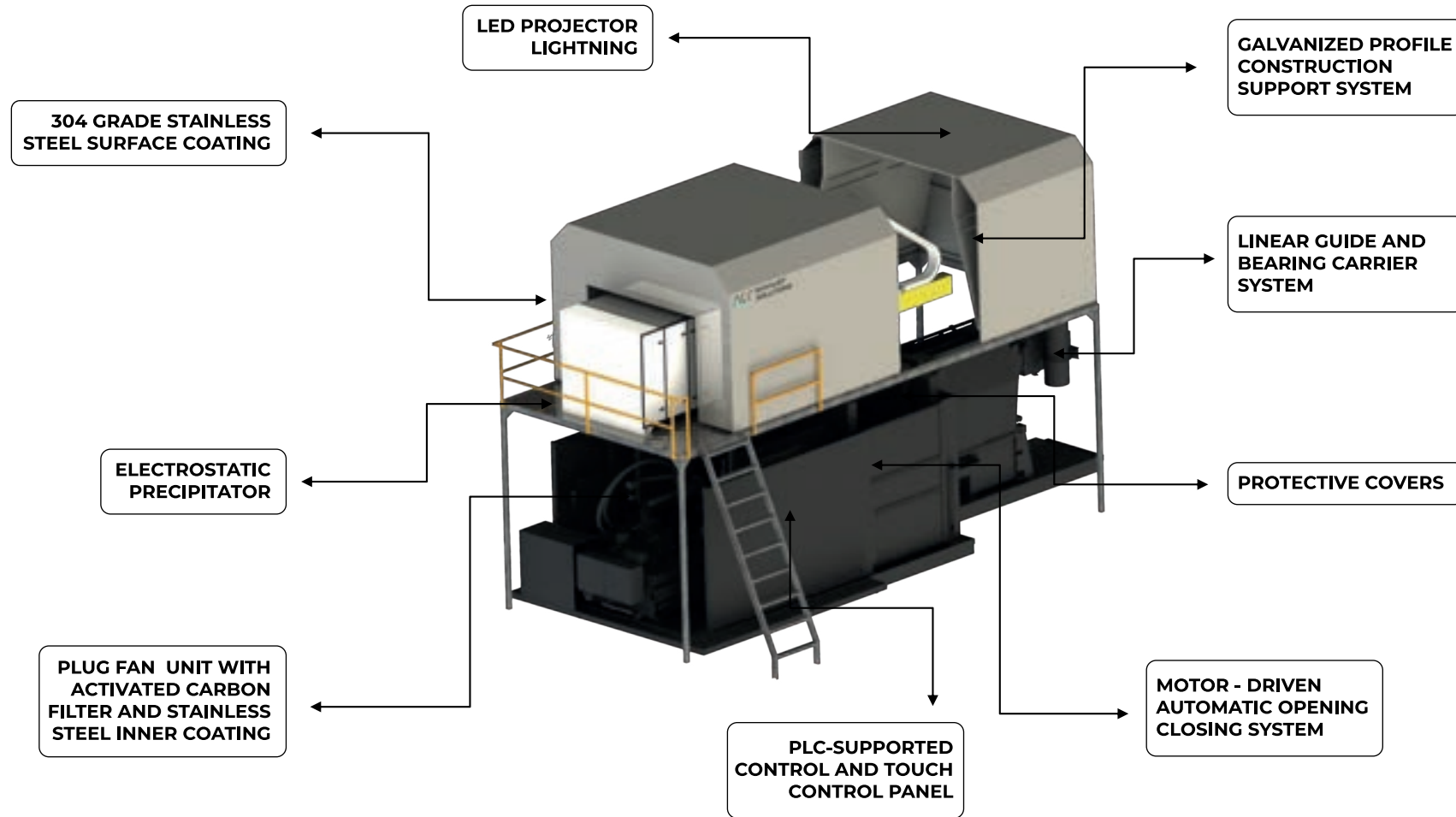
# ACC CASTING HOOD

The ACC extractor hood and filtration system specifically designed for aluminum casting aim to enhance the air quality in your foundry, prioritize worker health, and improve emission values. Additionally, they contribute to reducing your energy consumption alongside these benefits.



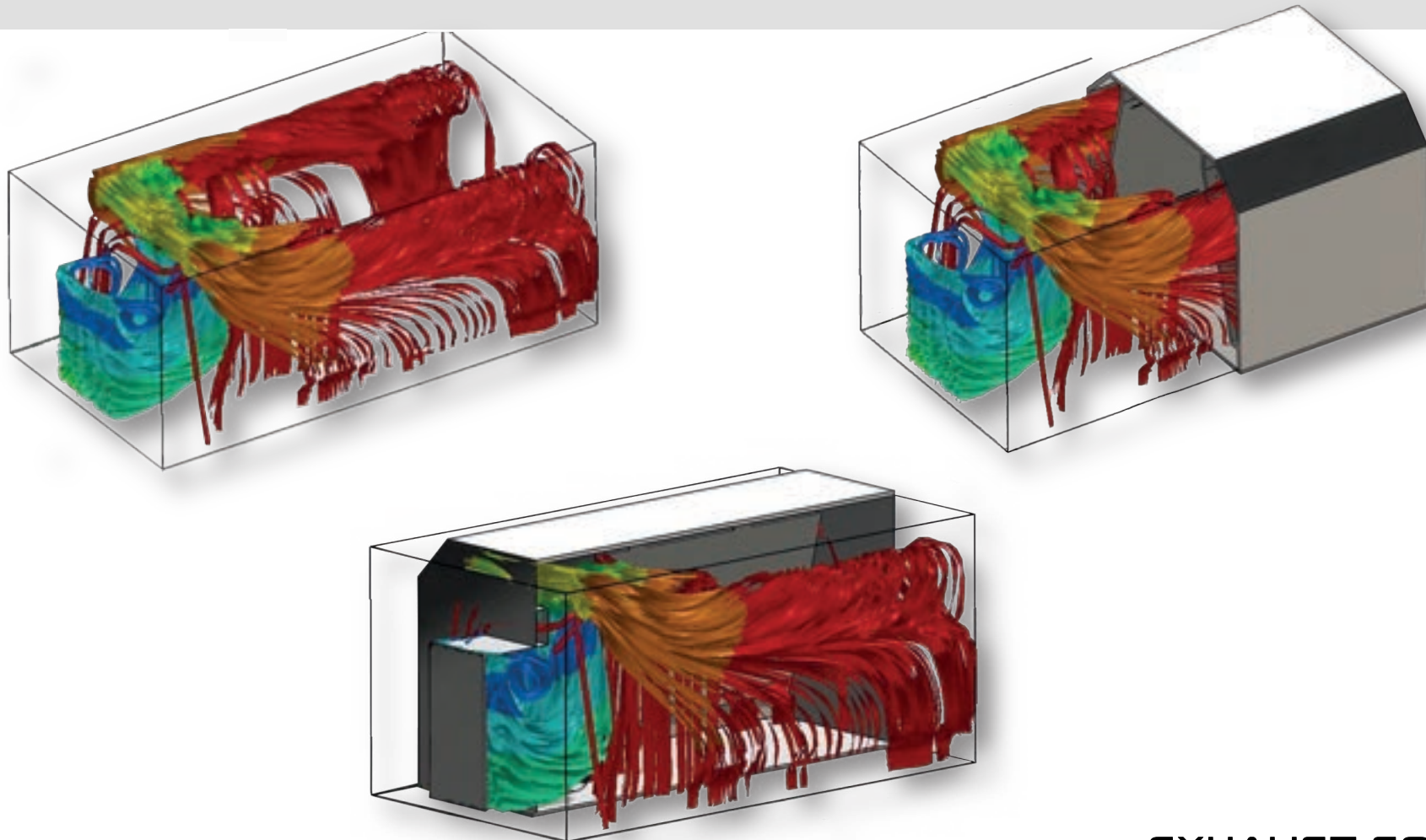
# YOUR SOLUTION PARTNER

## Where Efficiency Meets Community



# CAE FLOW SIMULATION SOLUTIONS

Computer-aided airflow simulation enables achieving optimized performance by intricately modeling the airflow within the range hood. This translates to more effective grease absorption and air purification. The system enhances energy efficiency by scrutinizing design parameters, resulting in lower energy consumption and higher efficiency. This, in turn, leads to a significant reduction in long-term operating costs.



# MODULAR SYSTEM SOLUTIONS

## MODULAR ASSEMBLY PARTS

Thanks to our modular design, transportation costs for hood systems are minimized, facilitating easy handling and installation within the foundry. In case of damage due to mold changes or similar situations, we offer the possibility of cost-effective repair by addressing only the affected module. The Easy Assembly design allows for quick processes during installation and potential changes, enabling the foundry to continue production without disrupting its operational routine.



## MOLD REPLACEMENT PROCESS

The hood system is brought to the mold change position with a single button using a linear bearing motion system and an automatic opening motor.



## LUBRICATION MODULE REPLACEMENT PROCESS

In the traditional method, the only way to replace the lubrication module on the casting exhaust hood is to completely remove the hood from its place. This process is quite laborious and requires very long durations, causing losses in the production line. With the modular hood system developed by ACC Exhaust Solutions, fixed modules open with a linear bearing motion system, allowing you to replace the lubrication module without completely removing the hood, immediately and without the need for any additional operations.



# ELECTROSTATIC FILTER SOLUTIONS

01

## Particle Removal

Electrostatic precipitators can effectively capture dust, smoke, and oil particles generated in foundries. This helps reduce the exposure of workers to harmful particles through the respiratory pathway.

02

## Air Quality Enhancement

By improving the air quality in foundries, it ensures that employees operate in a cleaner working environment. This can reduce respiratory disorders and have positive effects on overall health.

03

## Production Efficiency

Clean air can assist in reducing the contamination and wear of machines and equipment. This, in turn, can enhance production efficiency and reduce maintenance costs.

04

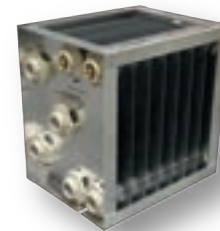
## Eco-Friendly Approach

Electrostatic precipitators consume less energy and produce less waste compared to some traditional filtration systems. This provides an environmentally friendly filtration solution

05

## Reduced Maintenance Needs

Electrostatic precipitators are typically more durable than filters that need regular replacement. This can reduce maintenance costs and optimize operational expenses.



# ACTIVATED CARBON FILTER SOLUTIONS

Activated carbon-impregnated cassette filters are specialized filtration systems used for air purification and odor removal. These filters are housed within a specific cassette or cartridge that is impregnated with activated carbon. This design allows them to capture particles and absorb unpleasant odors in the air.

Our filtration devices optionally provide carbon filter cell choices.





## SIMPLE OPERATIONS, FULL CONTROL

With a PLC-supported touch panel, it enables you to easily manage complex systems. Its user-friendly interface enhances efficiency, simplifies operations, and provides seamless control.



# MODELS



ACC/ESP/4002



ACC/ESP/6002-9002



ACC/ESP/10002

ACC EXTRACTION HOOD TYPE	ACC EXTRACTION HOOD HPDC CAPACITY RANGE	OPERATING VOLUME	NUMBER OF FILTER CELL	ENERGY CONSUMPTION
ACC/ESP/4002	400-500 TONNES	5000 m <sup>3</sup> /h	4 ( 2 x two-stage)	1,51 kW
ACC/ESP/6002	600-750 TONNES	7500 m <sup>3</sup> /h	6 ( 3 x two-stage)	2,05 kW
ACC/ESP/9002	800-1000 TONNES	7500 m <sup>3</sup> /h	6 ( 3 x two-stage)	2,05 kW
ACC/ESP/10002	1000-1300 TONNES	10000 m <sup>3</sup> /h	8 ( 4 x two-stage)	3,05 kW
ACC/ESP/10002+	1300+ TONNES	CUSTOM	CUSTOM	CUSTOM

We are at your service with our experienced process engineers and employees for the optimization of your casting hoods.



### Installation and Commissioning

With our expert and experienced team, on-site assembly and commissioning services.



### Service and Maintenance

Periodic maintenance is an indispensable requirement for the long-lasting and trouble-free operation of devices. We offer periodic maintenance contracts tailored to the needs of users.

# REFERENCES



ADÖKSAN



GAMAK



ŞAHİN METAL



GAMAK



ŞAHİN METAL

# REFERENCES



ARSLAN MAKİNA



NURUS



PELSAN



ARSLAN MAKİNA



NURUS



**nurus**

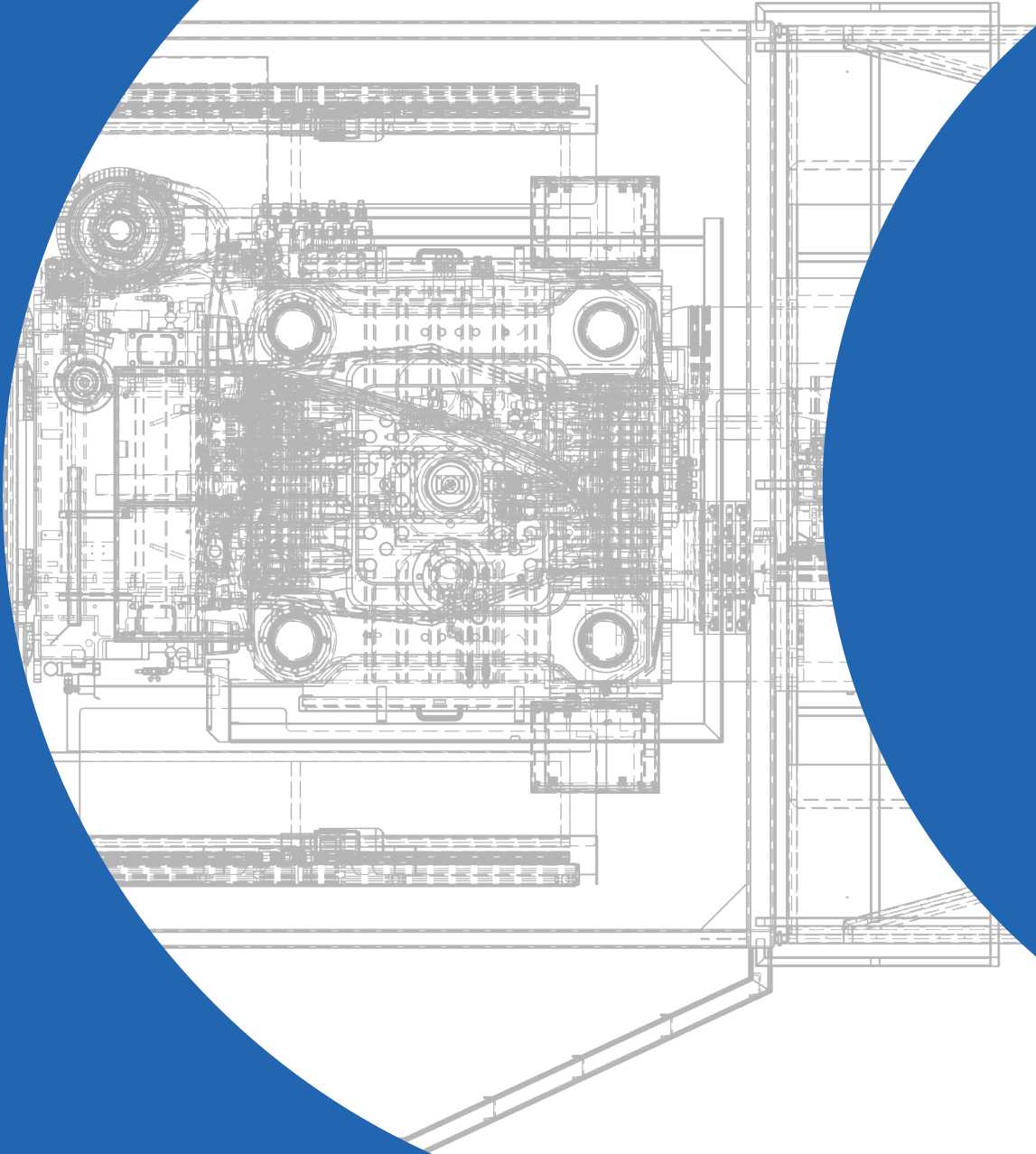


# Who Are We





**FOR  
A SUSTAINABLE  
AND  
CLEAN WORLD**



+90 212 664 1015

[info@accmekanik.com](mailto:info@accmekanik.com)

[www.accmekanik.com](http://www.accmekanik.com)

Akçaburgaz Mah. 1573. Sok.  
Tem34 İş Merkezi 2. Etap Kat: B1 No: 60  
Esenyurt / İstanbul